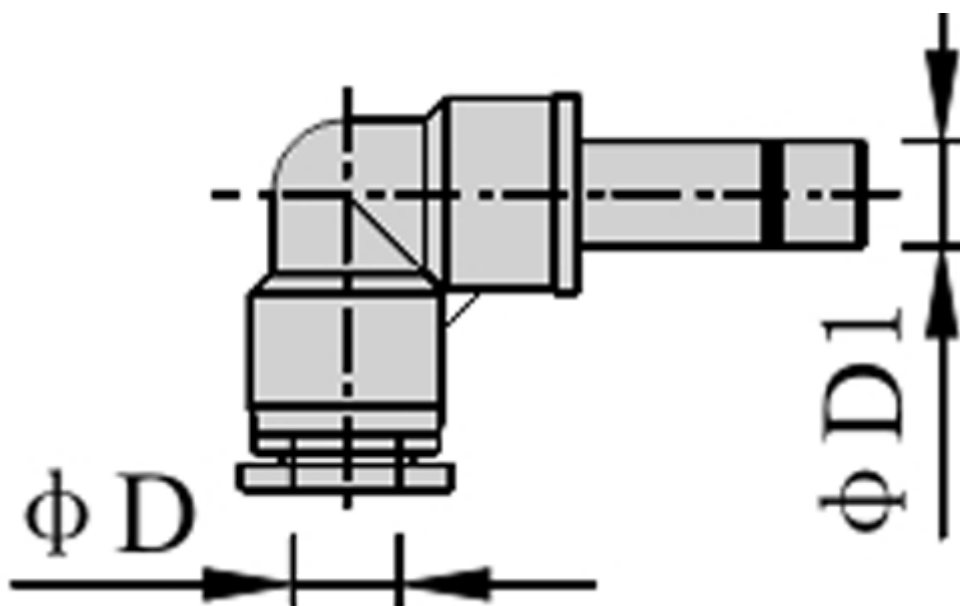


Article number: 58EPLJ108

Description: Fitting EPLJ108 angle reduction  
tube diameter 10 - 8

## Measures



D = 10

D1 = 8